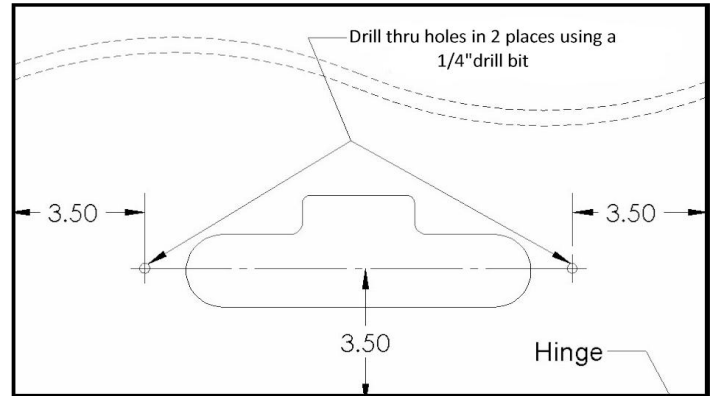
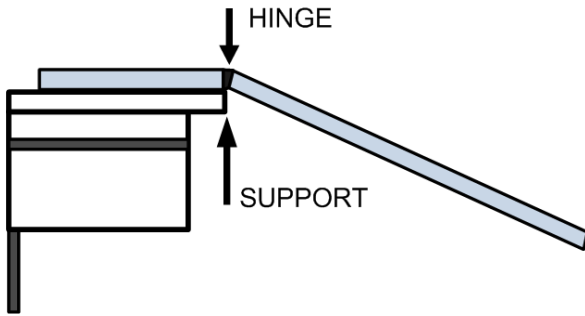
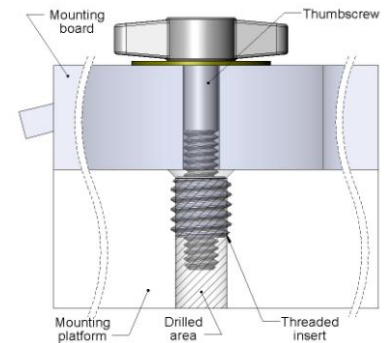


Mounting to Dock-Boat-Pool Deck



Instructions

1. Drill (2) holes into the doggydocks® mounting board, avoiding the hinge on the backside.
2. Place doggydocks™ onto the mounting surface making sure it is lined up with the edge.
3. Mark the platform below through the holes just drilled into the doggydocks™.
4. Drill 1/4" holes in mounting surface.
5. Screw threaded insert into dock or platform flush or slightly below the surface.
6. Place washer and insert thumbscrew through doggydocks™ into mounting surface.
7. Tighten thumbscrew so that the doggydocks® is secure.



Quick Release Mounting Kit Hardware Specifications					
Inserts	Barrel Dia	Lg.	Installed Lg.	Drill Bit Size	Max Hole Dia
8-32	0.250"	0.375"	0.375"	1/4"	0.25"
Washer	ID	OD	Thick.		
Screw Size 1/4"	0.281"	1.000"	0.040"-0.060"		
Thumb Screw	Thread	Length	Head Dia.		
	1/4"-20	1 1/2"	1 1/4"		